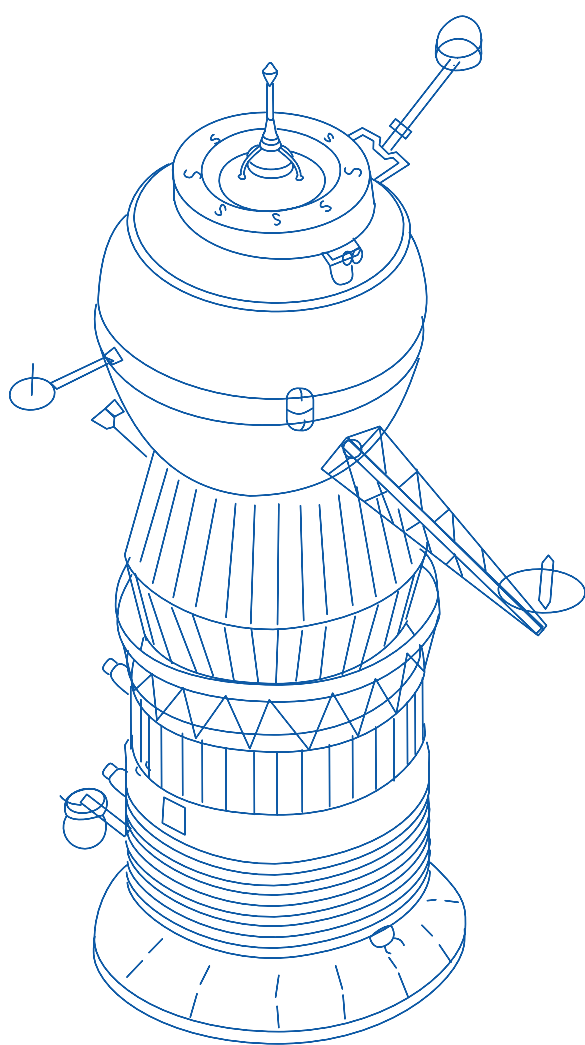


CHAMPAGNE AND SPARKLING WINE

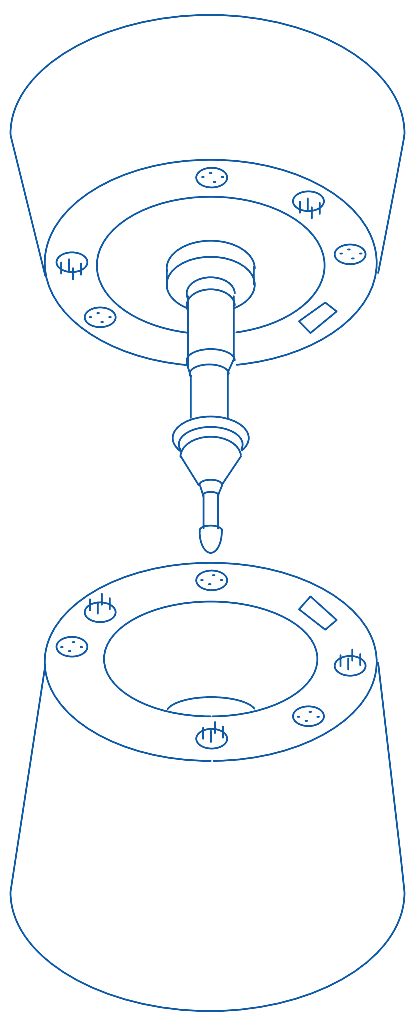


ШАМПАНСКОЕ И
ИГРИСТОЕ ВИНО

CHAMPAGNE AND SPARKLING WINE
ШАМПАНСКОЕ И ИГРИСТОЕ ВИНО

		750 мл
N/V	Prosecco «PassaParola» Spumante Brut Veneto, ITALY	2450
N/V	Cremant d'Alsace «Paul-Edouard» Extra Brut-Bott-Geyl Alsace, FRANCE	5900
N/V	Riesling Sekt Extra-Trocken Zeltinger Himmelreich Mosel, Germany	6100
N/V	French Bubble Rose Patrick Piuze Burgundy, FRANCE	4700
N/V	J. Lassalle Premier Cru Chigny-Les-Roses Brut Preference Champagne, FRANCE	9100
N/V	Paul Bara Bouzy Grand Cru Brut Champagne, FRANCE	9700
N/V	Piper-Heidsieck Brut Champagne, FRANCE	11700
N/V	Louis Roederer Brut Premier Champagne, FRANCE	13300
2010	Gimonnet Fleuron Premier Cru Champagne, FRANCE	13700
N/V	Ruinart Rose Brut Champagne, FRANCE	14700
N/V	Ruinart Blancs de Blanc Brut Champagne, FRANCE	8700 (375 мл) 16100
2009	Dom Perignon Champagne, FRANCE	29000
2009	«Cristal» - Louis Roederer Champagne, FRANCE	39300
2000	«Dom Perignon» Plenitude 2 Champagne, FRANCE	69000

WINE
BY THE GLASS





ВИНО
ПО БОКАЛАМ

SPARKLING AND CHAMPAGNE | ИГРИСТОЕ И ШАМПАНЬ

		125 мл	750 мл
N/V	Prosecco «Passa Parola» Spumante Brut Veneto, ITALY	490	2450






WHITE WINE BY THE GLASS | БЕЛОЕ ВИНО ПО БОКАЛАМ


		150 мл	750 мл
2018	Vinho Verde Cabra Cega Vinho Verde, PORTUGAL	490	2450
2018	Gruner Veltliner Winzer Krems Kremstal, AUSTRIA	650	3250
2018	Riesling Galitskiy & Galitskiy Kuban, RUSSIA	690	3450
2019	Sauvignon Blanc «Caroline Bay» Marlborough Marlborough, NEW ZEALAND	690	3450
 2018	«Pfefferer» Weinberg Dolomiten Alto-Adige, ITALY	870	4300
 2018	Chablis Sainte Claire - Jean-Marc Brocard Burgundy, FRANCE	970	4850

ROSE BY THE GLASS | РОЗОВОЕ ВИНО ПО БОКАЛАМ

		150 мл	750 мл
2019	Alie Rose - Frescobaldi Tuscany, ITALY	590	2950
2018	The Palm by Whispering Angel (Coteaux Varois en Provence) Provence, FRANCE	2500	12500

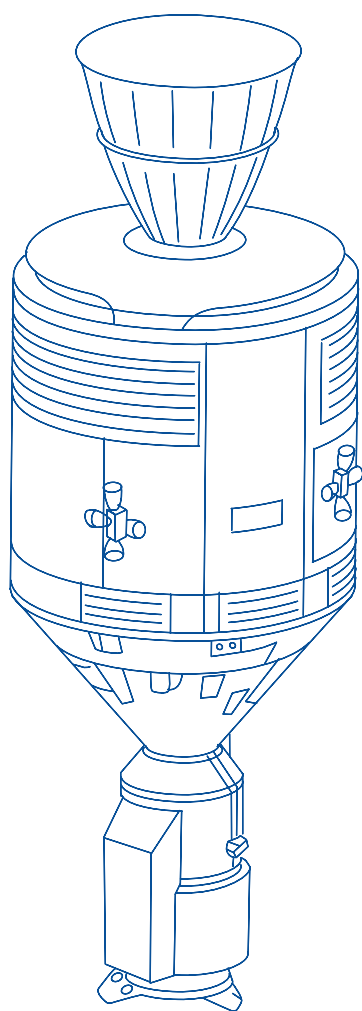
RED WINE BY THE GLASS | КРАСНОЕ ВИНО ПО БОКАЛАМ

		150 мл	750 мл
2018	Carmenere Estate Collection Reserva - Viu Manent Colchagua, Leyda, CHILE	490	2450
2018	Merlot Galitskiy & Galitskiy Kuban, RUSSIA	690	3450
2018	Primitivo Salento «Donna Marzia» Puglia, ITALY	590	2950
 2015	Rioja Crianza Finca Nueva Rioja, SPAIN	730	3650
 2017	Lange Nebbiolo «Clare J.C.» - G.D.Vajra Piedmont, ITALY	890	4900
 2017	Pinot Noir Bourgogne "LaForet" Joseph Drouhin Burgundy, FRANCE	970	4850
 2016	«Quintessence» Cotes du Ventoux Rhone, FRANCE	970	5500
 2016	Recioto della Valpolicella Classico DOC Domini Ven eti (SWEET) Veneto, ITALY	1490	7450

 Инновационная система подачи и хранения вина, исключающая доступ кислорода.
Innovative wine service and storage system excluding oxygen access.

Год урожая может варьироваться, пожалуйста, уточняйте у сомелье. Vintage may vary, please check with the sommelier.
Все цены указаны в рублях, включая НДС. Prices in rubles, VAT included

WINE
BY BOTTLE



ВИНО
ПО БУТЫЛКАМ

WHITE WINE BY BOTTLE
БЕЛОЕ ВИНО ПО БУТЫЛКАМ

FRANCE

2018	Sancerre les Baronnes Blanc Henri Bourgeois Loire	6500
2010	Pouilly-Fume «Baron de L» - De Ladoucette Loire	15300

ITALY

2019	«Pfefferer» Weinberg Dolomiten Alto-Adige	4300
2018	I Frati' Lugana - Ca dei Frati Lombardia	4300
2018	Pinot Grigio - J.Hofstatter Alto-Adige, ITALY	4500
2017	Moscato d'Asti «Vigna Senza Nome» - Braida (SWEET LIGHT SPARKLING) Piedmont	4900
2017	Vermentino Solosole - Poggio al Tesoro Tuscany	5100
2017	Gavi di Gavi Etichetta Nera - La Scolca Piedmont	8500
2017	«Cervaro della Sala» - Antinori Umbria	12000

GERMANY

2018	Riesling Dry «Blue slate» - Dr. Loosen Mosel, GERMANY	5100
------	--	------

SPAIN

2018	Albarino Mar de Frades Rias Baixas, SPAIN	4500
------	--	------

NEW ZEALAND

2019	Sauvignon Blanc «Caroline Bay» Marlborough Marlborough, NEW ZEALAND	5300
------	--	------

SOUTHERN AMERICA

2017	Chardonnay - Luca Mendoza, ARGENTINA	5100
------	---	------

ROSE WINE BY BOTTLE
РОЗОВОЕ ВИНО ПО БУТЫЛКАМ

2019	Alie Rose - Frescobaldi Tuscany, ITALY	2950
2018	The Palm by Whispering Angel (Coteaux Varois en Provence) Provence, FRANCE	12500

RED WINE BY BOTTLE
КРАСНОЕ ВИНО ПО БУТЫЛКАМ

FRANCE

2016	Cotes du Rhone Rouge - Guigal Rhône	4500
2016	Le Vin Est Une Fete Cotes Du Marmandais - Domaine Elan Da Ros Sud-Ouest	4300
2014	L'Equilibre - Villa Prissette Languedoc	4500
2017	Chinon Rouge Tradition Philippe Alliet Loire	4500
2016	«Quintessence» Cotes du Ventoux Rhône	5500
2015	Crozes-Hermitage «La Matiniere» - Ferraton Pere & Fils Rhône	5100
2011	Chateau Pontet-Canet, Pauillac 5-me Grand Cru Classe Bordeaux	23900
2011	Vosne-Romanee 1-er Cru «Les Chaumes» - Louis Jadot Burgundy	25900
2016	Clos-Vougeot Grand Cru -Alex Gambal Burgundy	36900

ITALY

2015	Nero d Avola Nerd Ferro 13 Sicily	3500
2017	Lange Nebbiolo «Clare J.C.» - G.D.Vajra Piedmont	4900
2017	Etna Rosso (Nerello Mascalese) - Planeta Sicily	4900
2017	Chianti Classico Riecine Tuscany	5900
2016	Le Valte Dell` Ornellaia Tuscany	7500
2012	Gattinara - Travaglini Piedmont	7900
2011	«Pertichetta» Croatina - Vigneti Massa Piedmont	7900
2014	Barolo Gallinotto - Mauro Malino Piedmont	9900
2013	Montefalco Sagrantino «Collepiano», Arnaldo Caprai Umbria	9700
2015	Amarone della Valpolicella Classico - Zenato Veneto	11900
2014	Kurn i-Oasi degli Angeli (Demy Sweet) Marke	13900
2014	Barolo-Pio Cesare Piedmont	13900
2015	«Tignanello» - Antinori Tuscany	19900
2011	Lupicaia Toscana IGT Tuscany	25900
2011	«50 & 50» - Avignonesi - Capannelle Tuscany	28900
2015	Sassicaia Bolgheri - Tenuta San Guido Tuscany	39900
2012	Ornellaia - Tenuta della Ornellaia Tuscany	59900

RED WINE BY BOTTLE
КРАСНОЕ ВИНО ПО БУТЫЛКАМ

GERMANY

2014	Spatburgunder «Kalkmergel» Knipser Pfalz, GERMANY	8300
------	--	------

SPAIN

2015	Finca el Encinal Crianza - Bodegas Valparaiso Ribera del Duero, SPAIN	3900
------	--	------

2018	Camins del Priorat Alvaro Palacios Priorat, SPAIN	6100
------	--	------

USA / SOUTHERN AMERICA

2017	Malbec Luigi Bosca Mendoza, ARGENTINA	3700
------	--	------

2015	Cabernet Sauvignon - Murphy Goode California, USA	5100
------	--	------

2017	Zinfandel «1000 Stories» - Fetzer California, USA	5700
------	--	------

2016	Geyserville Alexander Valley - Ridge California, USA	11900
------	---	-------

RUSSIA / SERBIA

2014	Marselan - WINERY «Manor Divnomorskoe» Kuban, RUSSIA	5100
------	---	------

2012	Pinot Noir «Trijumf» Aleksandrovic Vinča, SERBIA	7300
------	---	------

AFRICA / OCEANIA

2017	Shiraz «Tenacity» Old Vine - Two Hands McLaren Valley, AUSTRALIA	4100
------	---	------

2016	Pinotage Rooibos Ridge Fairview Paarl, SOUTH AFRICA	3500
------	--	------

2017	Pinot Noir «Petit Clos» - Clos Henri Marlborough, NEW ZEALAND	5700
------	--	------

2018	Cabernet Sauvignon «Sexy Beast» Two Hands McLaren Vale, AUSTRALIA	6300
------	--	------